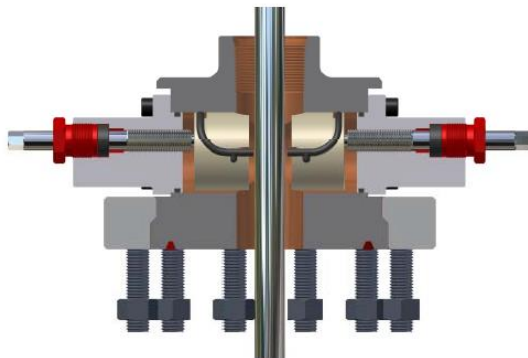


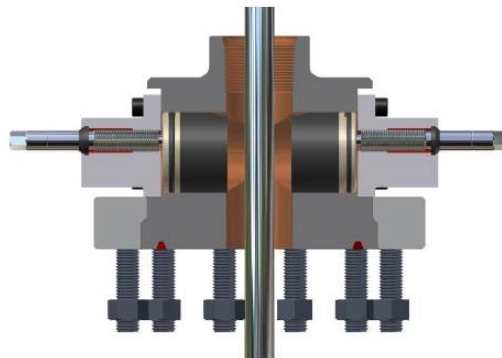
## INTEGRATED PUMPING TEE

### Benefits :

- Integral construction combines tubing bonnet, BOP and pumping tee, which reduces leak paths, assembly labor and risk of over-tightened threads ;
- All steel construction eliminates risk of casting porosity and reduces stack height by 50% compared to traditional assembly;
- Suitable for sour, low temperature applications;
- Stocked with 7 1/16" -2000 psi or 7 1/16" -3000 psi rotating bottom flanged connection;
- Available with high pressure polish rod rams ( 1 ¼" or 1 ½" ) or with low pressure polish rod rams (0 - 1 ½").



**HIGH PRESSURE RAMS**



**LOW PRESSURE RAMS**